



Measures Technology Values Innovation



## VRLA Rechargeable Battery

# BPS35-12 (BPS35-12FR)

Finger Type

### FEATURES

- Maintenance free(no water topping-up required)
- No free acid(Non-spillable battery)
- Can be used in any orientation(excluding used inverted)
- Absorbent Glass Mat technology for efficient gas recombination

### APPLICATION

- UPS
- Electronic Medical Equipment
- Wheelchairs
- Golf-Carts
- Lawn Mowers



### SPECIFICATIONS

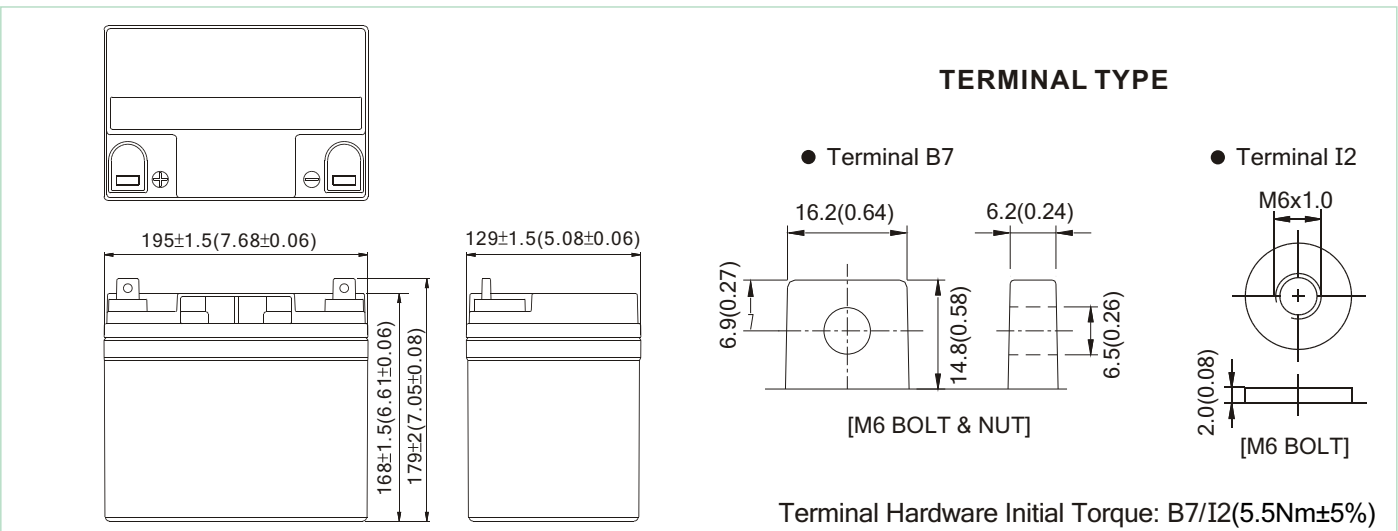
Nominal Voltage	12V	
Nominal Capacity	20 Hour Rate (1750mA, 10.5V)	35.00 Ah
	10 Hour Rate (3325mA, 10.5V)	33.25 Ah
	5 Hour Rate (5950mA, 10.5V)	29.75 Ah
	1 Hour Rate (21000mA, 9.3V)	21.00 Ah
Approx. Weight	11450g(25.25lbs.)	
Terminals	B7 (Fitting M6 bolt & nut) I2 is optional	
Max. Discharge Current	525 A (5 sec.)	
Max. Charge Current	10.5 A	
Operating Temperature Range	Charge	0°C~40°C(32°F~104°F)
	Discharge	-20°C~50°C(-4°F~122°F)
	Storage	-20°C~40°C(-4°F~104°F)
Self Discharge	< 3% per month (25°C)	
Internal Resistance	≤ 9m Ω (Fully Charged )	

### CONTAINER MATERIAL

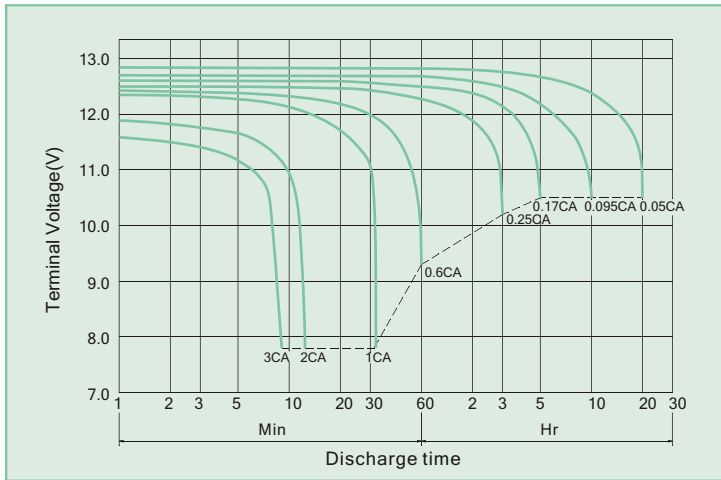
- BPS35-12:  
ABS: UL 94-HB (Dark gray color)
- BPS35-12FR:  
ABS: UL 94-V0 (Light gray color)

 ISO 9001	 ISO14001
 MH19884 UL	 C4M20310-2474-E-16 CE
<ul style="list-style-type: none"> <li>● IEC61056</li> <li>● GB/T 19639</li> </ul>	<ul style="list-style-type: none"> <li>● JIS C 8702</li> </ul>

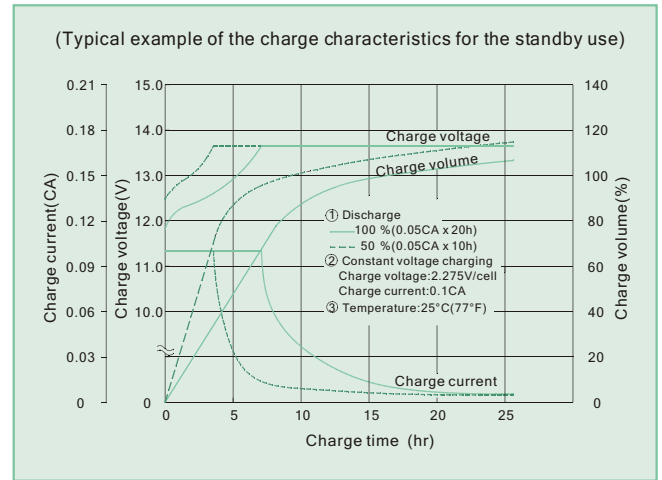
OUTER DIMENSIONS mm(inch)	Length (L)	Width (W)	Container Height (H)	Total Height (TH)
	195±1.5(7.68±0.06)	129±1.5(5.08±0.06)	168±1.5(6.61±0.06)	179±2.0(7.05±0.08)



**BPS35-12 (BPS35-12FR) discharge characteristics (25°C /77°F)**



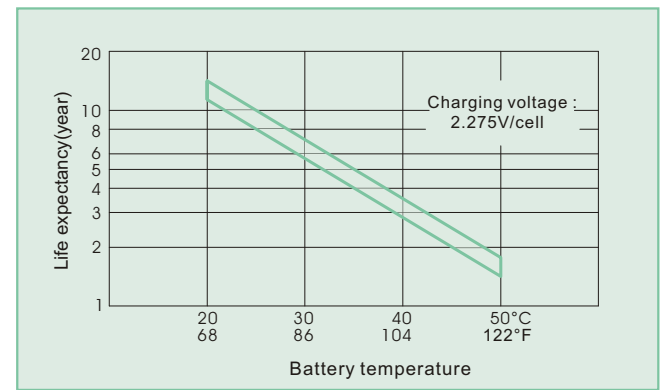
**Battery Charging Characteristics**



**Charging Procedure**

Application	Charging method	Charging Voltage at 25°C (V/cell)	Temperature compensation coefficient of charging voltage (mV/°C /cell)	Max. charging current (CA)	Charging time 0.1CA, 25°C (h)		Temp (°C)
					100% discharge	50% discharge	
For standby power Source	Constant voltage & Constant current charging (with current restriction)	2.25~2.30	-3	0.3	24	20	0~40 (32~104°F)
For cycle service		2.40~2.50	-4	0.3	16	10	

**Effect Of Temperature On Long Term Float Life**



**Constant power discharge characteristics at 25 °C/77 °F Unit: W**

F.V. (V/cell) \ Discharge Time	5 Min	10 Min	15 Min	30 Min	1 Hr	3 Hr	5 Hr	10 Hr	20 Hr
1.80V	1265	932	747	444	254.7	102.0	70.3	39.31	20.69
1.75V	1465	1009	781	461	262.4	104.1	71.4	39.90	21.00
1.70V	1556	1045	805	472	267.1	105.0	71.8	40.10	21.11
1.65V	1626	1071	824	478	270.3	105.7	72.0	40.22	21.17
1.60V	1680	1092	840	483	273.0	106.4	72.3	40.22	21.17

**Constant current discharge characteristics at 25 °C/77 °F Unit: A**

F.V. (V/cell) \ Discharge Time	5 Min	10 Min	15 Min	30 Min	1 Hr	3 Hr	5 Hr	10 Hr	20 Hr
1.80V	114.0	82.0	64.9	37.6	21.4	8.50	5.86	3.28	1.72
1.75V	134.4	88.8	67.9	39.1	22.0	8.67	5.95	3.32	1.75
1.70V	142.8	92.0	70.0	40.0	22.4	8.75	5.98	3.34	1.76
1.65V	149.2	94.2	71.6	40.5	22.7	8.81	6.00	3.35	1.76
1.60V	154.1	96.1	73.0	40.9	22.9	8.86	6.02	3.35	1.76

All data shall be changed without prior notice, BB reserves the right to explain and update the information contained hereinto.

A/0 REV. Aug. 2009

**USA:**  
 B&B BATTERY(USA) INC.  
 6415 RANDOLPH ST.COMMERCE, CA,90040 U.S.A.  
 TEL:1-323-278-1900.1-800-278-8599  
 FAX:1-323-278-1268  
 E-Mail:sales@bb-battery.com

**CHINA FACTORY:**  
 B.B. BATTERY CO., LTD.  
 CHENG DONG TRIAL AREA,HUANG GANG,  
 RAOPING, GUANG DONG,CHINA,515700  
 TEL:86-768-7601001-2  
 FAX:86-768-7601469  
 E-Mail:maggy@bb-battery.com

**EUROPE:**  
 B&B BATTERY(EUROPE) B.V.  
 LAAN VAN KRONENBRUG 8, 1183AS  
 AMSTELVEEN, THE NETHERLANDS  
 TEL: +852-91282711  
 MOBILE: +852-91282711  
 E-Mail: dliu@bb-battery.com

**HONG KONG:**  
 NATIONAL TRADING LTD.  
 TEL:852-2301-3800  
 FAX:852-2739-1182  
 E-Mail:bbhk@hkstar.com

**JAPAN:**  
 B&B BATTERY(JAPAN) CO., LTD.  
 1375-11 NARAHARA-MACHI,HACHIOJI,  
 TOKYO 193-0803,JAPAN.  
 TEL:81-426-25-6375  
 FAX:81-426-25-6375  
 E-Mail:miyata@bb-battery.com

**TAIWAN:**  
 B.B. BATTERY(TAIWAN) CO., LTD.  
 TEL:886-6-502-5150  
 FAX:886-6-589-8087  
 E-Mail:maggy@bb-battery.com