

VRLA Rechargeable Battery

BC200-12 (BC200-12FR)

FEATURES

- Maintenance free(no water topping-up required)
- No free acid(Non-spillable battery)
- Can be used in any orientation(excluding used inverted)
- Flame-arrestor is installed to ensure safety
- Carry handles for easy installation
- Absorbent Glass Mat technology for efficient gas recombination
- Its design life is up to 5 years in floating application

APPLICATION

- UPS
- Telecom



SPECIFICATIONS

Nominal Voltage	12V	
Nominal Capacity	20 Hour Rate (10.0A, 10.5V)	200 Ah
	10 Hour Rate (19.0A, 10.5V)	190 Ah
	5 Hour Rate (34.0A, 10.5V)	170 Ah
	1 Hour Rate (120.0A,9.6V)	120 Ah
Approx. Weight	55.2Kg(121.7lbs.)	
Terminals	B9 (Fitting M8 bolt & nut) I3 is optional	
Max. Discharge Current	800 A (5 sec.)	
Max. Charge Current	60 A	
Operating Temperature Range	Charge	0°C~40°C(32°F~104°F)
	Discharge	-20°C~50°C(-4°F~122°F)
	Storage	-20°C~40°C(-4°F~104°F)
Self Discharge	< 3% per month (25°C)	
Internal Resistance	≤ 3.0m Ω (Fully Charged)	

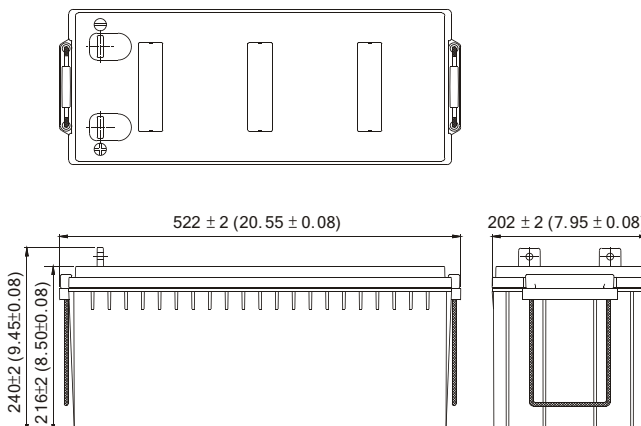
CONTAINER MATERIAL

- BC200-12:
ABS: UL 94-HB (Dark gray color)
- BC200-12FR:
ABS: UL 94-V0 (Light gray color)

 ISO 9001	 ISO14001
 MH19884 UL	 C4M20310-2474-E-16 CE
● IEC61056	● JIS C 8702
● GB/T 19639	

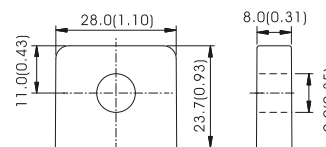
OUTER DIMENSIONS mm(inch)

Length (L)	Width (W)	Container Height (H)	Total Height (TH)
522±2.0(20.55±0.08)	202±2.0(7.95±0.08)	216±2.0(8.50±0.08)	B9: 240±2.0(9.45±0.08) I3: 220±2.0(8.66±0.08)



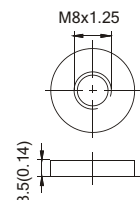
TERMINAL TYPE

● Terminal B9



[M8 BOLT & NUT]

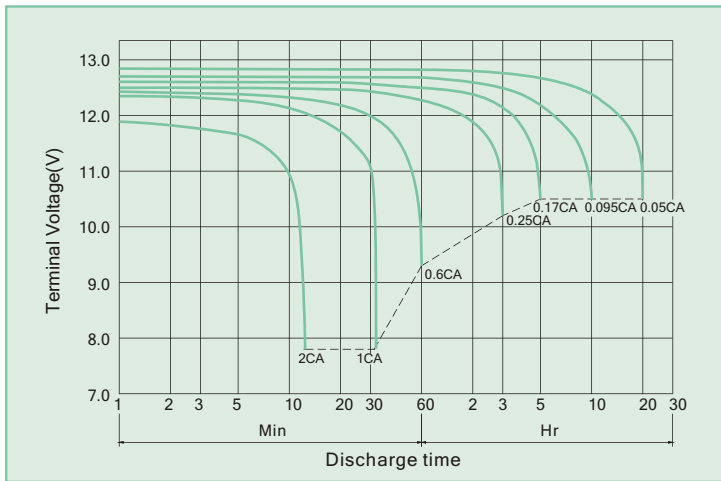
● Terminal I3



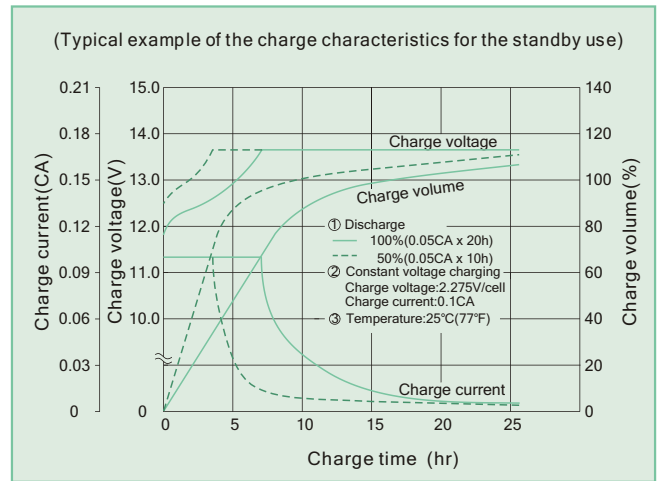
[M8 BOLT]

Terminal Hardware Initial Torque: B9,I3(10.0Nm±5%)

BC200-12 (BC200-12FR) discharge characteristics (25°C/77°F)



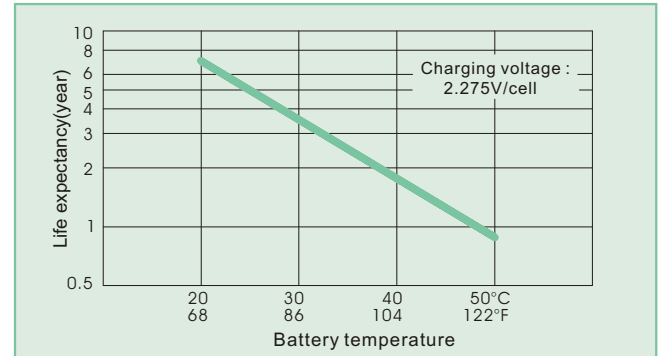
Battery Charging Characteristics



Charging Procedure

Application	Charging method	Charging Voltage at 25°C (V/cell)	Temperature compensation coefficient of charging voltage (mV/°C/cell)	Max. charging current (CA)	Charging time 0.1CA, 25°C (h)		Temp (°C)
					100% discharge	50% discharge	
For standby power Source	Constant voltage & Constant current charging (with current restriction)	2.25~2.30	-3	0.3	24	20	0~40 (32~104°F)
For cycle service		2.40~2.50	-4	0.3	16	10	

Effect Of Temperature On Long Term Float Life



Constant power discharge characteristics at 25 °C/77 °F Unit: W

F.V. (V/cell) \ Discharge Time	15 Min	30 Min	1 Hr	3 Hr	5 Hr	10 Hr	20 Hr
1.80V	3346.2	2266.8	1426.4	583.0	402.0	224.6	118.2
1.75V	3499.2	2354.2	1469.2	594.6	408.0	228.0	120.0
1.70V	3605.4	2407.4	1495.6	600.0	410.2	229.2	120.6
1.65V	3690.0	2441.6	1513.8	604.2	411.6	229.8	121.0
1.60V	3762.0	2466.2	1528.8	607.8	412.8	229.8	121.0

Constant current discharge characteristics at 25 °C/77 °F Unit: A

F.V. (V/cell) \ Discharge Time	15 Min	30 Min	1 Hr	3 Hr	5 Hr	10 Hr	20 Hr
1.80V	299.0	194.0	119.8	48.6	33.6	18.8	9.8
1.75V	312.6	201.4	123.4	49.6	34.0	19.0	10.0
1.70V	322.4	206.2	125.8	50.0	34.2	19.2	10.0
1.65V	329.8	209.0	127.2	50.4	34.4	19.2	10.0
1.60V	336.4	211.0	128.4	50.6	34.4	19.2	10.0

All data shall be changed without prior notice, BB reserves the right to explain and update the information contained hereinto.

Trial A/2 REV. Dec. 2010

USA:
 B&B BATTERY(USA) INC.
 6415 RANDOLPH ST.COMMERCE, CA,90040 U.S.A.
 TEL:1-323-278-1900,1-800-278-8599
 FAX:1-323-278-1268
 E-Mail:sales@bb-battery.com

CHINA FACTORY:
 B.B. BATTERY CO., LTD.
 CHENG DONG TRIAL AREA,HUANG GANG,
 RAOPING, GUANG DONG,CHINA,515700
 TEL:86-768-7601001-2
 FAX:86-768-7601469
 E-Mail:maggy@bb-battery.com

EUROPE:
 B&B BATTERY(EUROPE) B.V.
 SUITE 8, HAAKSBERGWEG 33, 1101
 BP AMSTERDAM,THE NETHERLANDS
 TEL: 31-30-3200190
 MOBILE: 886-933896989
 E-Mail: gary@bb-battery.com

HONG KONG:
 B&B BATTERY(Hong Kong) Co.
 TEL:852-2311-4918
 FAX:852-2739-1182
 E-Mail:bbhk@hkstar.com

JAPAN:
 B&B BATTERY(JAPAN) CO., LTD.
 1375-11 NARAHARA-MACHI,HACHIOJI,
 TOKYO 193-0803,JAPAN.
 TEL:81-426-25-6375
 FAX:81-426-25-6375
 E-Mail:miyata@bb-battery.com

TAIWAN:
 B.B. BATTERY(TAIWAN) CO., LTD.
 TEL:886-6-502-5150
 FAX:886-6-589-8087
 E-Mail:kevin@bb-battery.com