

FEATURES

- The sulfuric acid is mixed with silica fume, which makes the resulting mass gel-like and immobile.
- Increased durability and deep cycle ability for heavy demand.
- High temperature stability, mechanical strength and low acid displacement.
- Superior performance with deep discharges.
- Patented safety valve to have accurate pressure operating for long battery life.





APPLICATION

- UPS
- Security
- Telecommunication
- Electronic Medical Equipment
- Emergency Lighting



SPECIFICATIONS

Nominal Voltage	6V
Nominal Capacity	200 Ah @ 20 hour rate F.V.(1.75V/cell) 190 Ah @ 10 hour rate F.V.(1.80V/cell)
Approx. Weight	31700g(69.88lbs.)
Terminals	I3(I4 is optional)
Internal Resistance	≤2mΩ (Fully Charged)
Max. Discharge Current	800 A (5 sec.)
Max. Charge Current	40.0 A
Self Discharge	< 2% per month (25°C)
Operating Temperature Range	-20°C~55°C(-4°F~131°F)
Container Material	ABS(UL94-HB, UL94-V0 is optional)

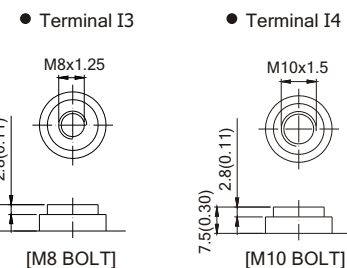
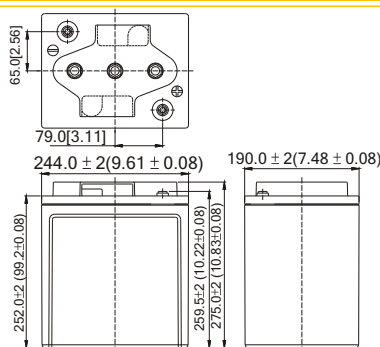
ISO 9001	
ISO14001	
UL	 MH19884
CE	 CAM20310-2474-E-16
● GB/T 19638.2-2005	
● IEC60896-21/22 2004	

DIMENSION(mm/inch)

OUTER DIMENSIONS

TERMINAL TYPE

- **Length**
244.0±2 (9.61±0.06)
- **Width**
190.0±2 (7.48±0.06)
- **Container Height**
275.0±2 (10.83±0.06)
- **Total Height**
275.0±2 (10.83±0.06)



Terminal Hardware Initial Torque: I3(10.0Nm±5%)

Constant power discharge characteristics at 25 °C/77 °F

Unit: W

Discharge Time F.V. (V/cell)	30 Min	1 Hr	3 Hr	5 Hr	10 Hr	20 Hr
1.80V	1123	664	290.0	212.2	114.0	59.10
1.75V	1140	684	295.8	215.4	114.5	60.00
1.70V	1149	699	299.4	217.2	114.9	60.47
1.65V	1152	707	301.8	217.9	115.3	60.65
1.60V	1152	714	303.3	218.6	115.3	60.65

Constant current discharge characteristics at 25 °C/77 °F

Unit: A

Discharge Time F.V. (V/cell)	30 Min	1 Hr	3 Hr	5 Hr	10 Hr	20 Hr
1.80V	187.2	113.3	48.58	35.47	19.00	9.85
1.75V	190.0	116.7	49.55	36.00	19.11	10.00
1.70V	191.5	119.1	50.15	36.31	19.17	10.08
1.65V	192.1	120.5	50.55	36.43	19.22	10.11
1.60V	192.1	121.7	50.80	36.54	19.22	10.11

All data shall be changed without prior notice, BB reserves the right to explain and update the information contained hereinto.